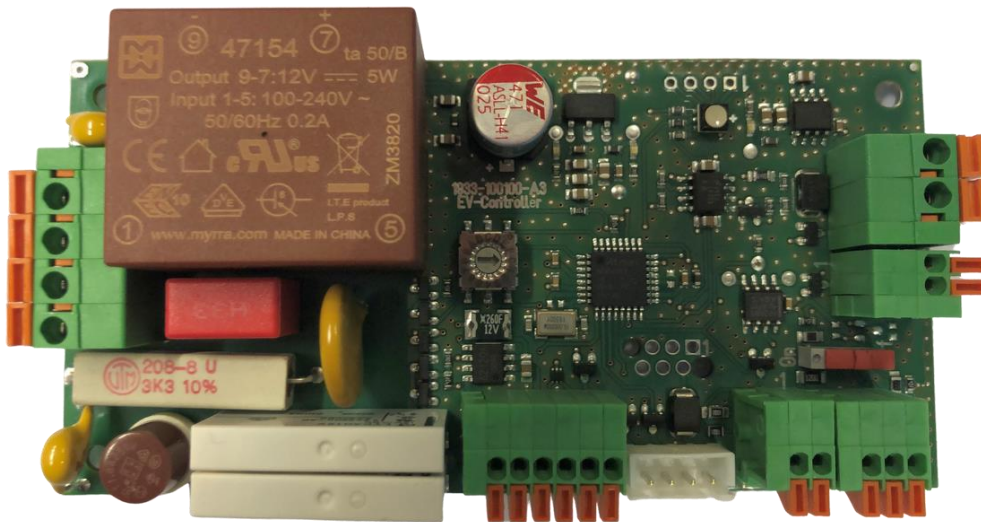


Deltrix Basic EV Controller – Technical Specifications



Controller Board – Physical

Dimensions (LxWxH)	110mm x 55mm x 35mm
Weight	150 grams
Mounting Process/options	4 Holes on corners
Embedded microcontroller	Atmel
Firmware	Embedded, Firmware upgrades possible
On-board temperature monitoring	Yes, in micro-controller
Power supply	On-board
Pluggable connectors	RCM + Mains Supply + CP/PP + Weld Detect, RS485, T2 Socket
Reprogrammable Firmware	Yes, with clip-on connector

Controller Board – Electrical

Mode	3 (IEC 61851-1 / SAE J1772 compliant communication protocol)
Power Rating	Power Rating: 7.4 KW (1 Phase) to 22KW (3 Phases)
Current Settings	10-Step adjustable charging current (from 6A to 32A)
Earth Leakage Protection	With External ground fault sensor e.g. RCM14-01 from WA
Contactors	External
On Board Relays	For contactor switching and RCB Tripping (by contact welding)
Status Lighting (On-Board LED)	RGB LED with Clear, Connected & Charging (use with LED Pipe)
Phases	Single or three Phases supported
Supply Connections	L1, N, PE 2.5 - 1mm ²
Nominal Supply	230VAC 50Hz
Over Current Protection	40A Supply
Standby Power Consumption	~1W
BS7671:2018 Support (earthing check)	Planned (with add-on board)

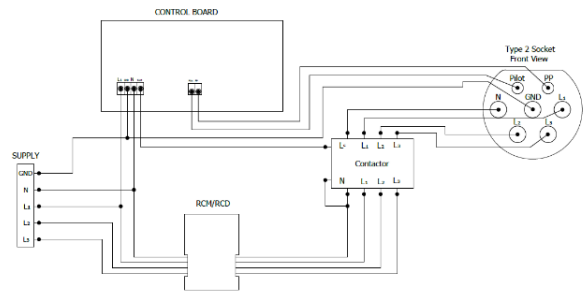
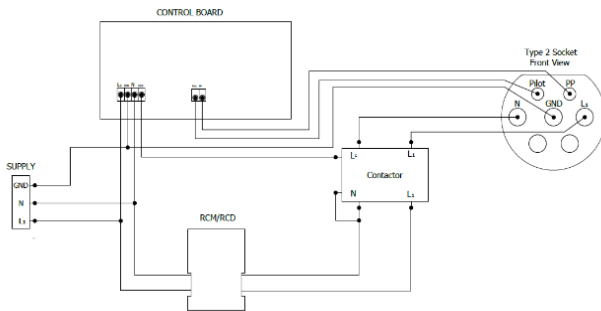
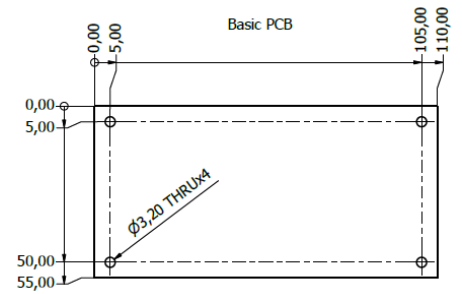
Controller Board - Interfacing

kWh energy meter support
 T2 Socket Locking
 Contactor Failure Detection Connector
 Proximity Pilot & Control Pilot
 Fan Connector
 LED Connector
 LCD Support
 CAN-bus
 Ethernet interface
 RCD status
 Contactor enable
 Contactor Weld Detect
 GPS global positioning
 Penta band 3G/4G modem
 RFID
 Buzzer Support
 BS7671:2018 Support (earthing check)
 Local Load Balancing (Master/Slave)
 RS485/Modbus for Smart Communications
 Relay Port
 I²C Bus for external Switching & Control

Part Number
 Basic EV Controller with on-board LED
 Basic EV Controller with LED Connector

Optional
 Yes
 Yes
 Yes
 No
 Yes (optional cable)
 No
 No
 No
 Trip Detect
 External
 Yes
 No
 No
 No
 No
 No
 Yes, via cable for a dual-port configuration
 Yes, with basic Modbus command set
 Yes, e.g. for PV System Interfacing
 Yes (with add-on board)

DEMBEVC-3-1A
 DEMBEVC-3-1B



EU HQ, Sales & Marketing – Ireland

Deltrix (Europe) Limited
 Block 1, Unit 1A
 Bracken Road
 Sandyford
 Dublin D18 H283
 Ireland
 Tel.: +353 (1) 5390606
 E-Mail: info@deltrix.com

Sales & Marketing – Germany

Deltrix (Europe) Limited
 Max-Planck-Straße 4
 85609 Aschheim-Dornach
 Germany
 Tel.: +49 (89) 215 385 23
 E-Mail: info@deltrix.com