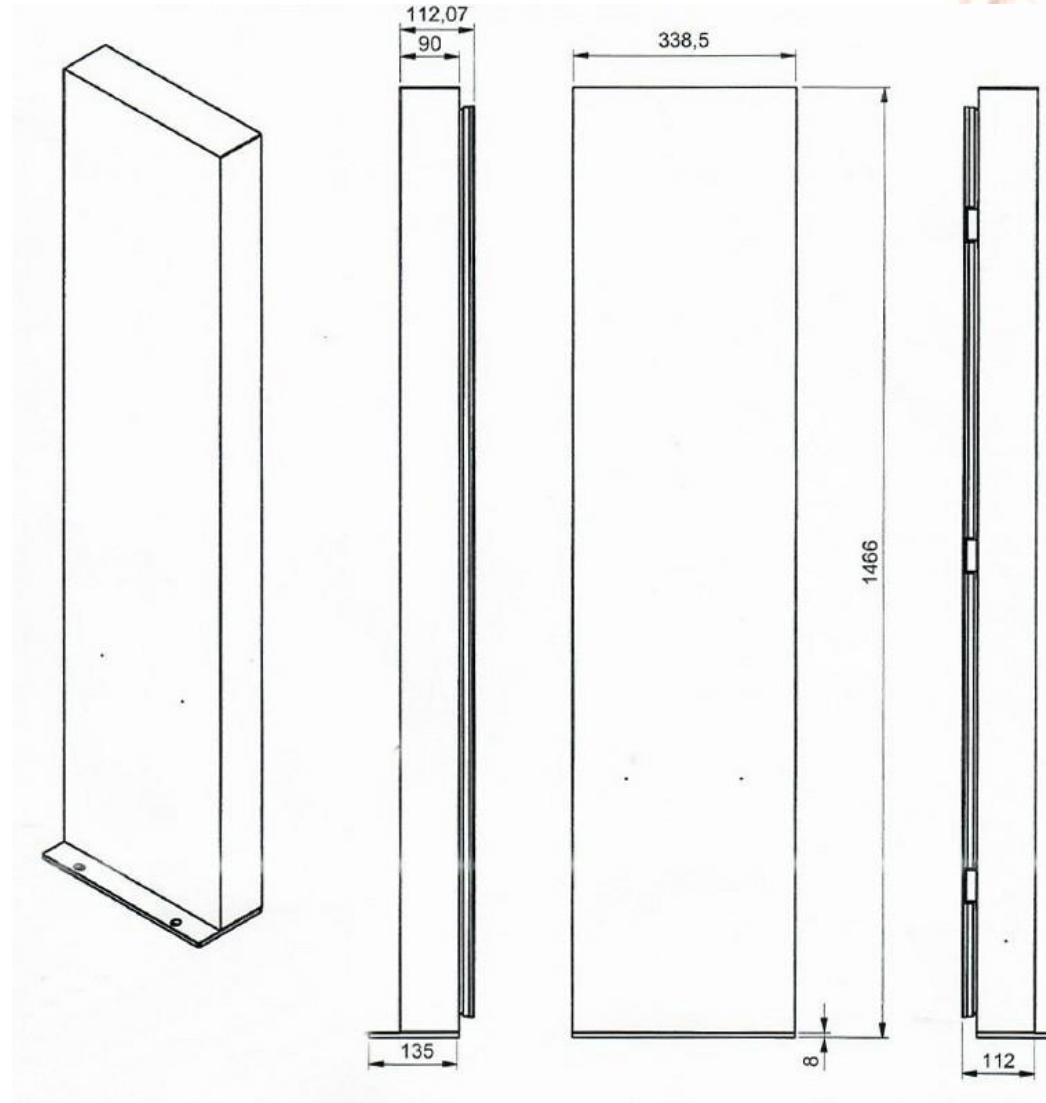




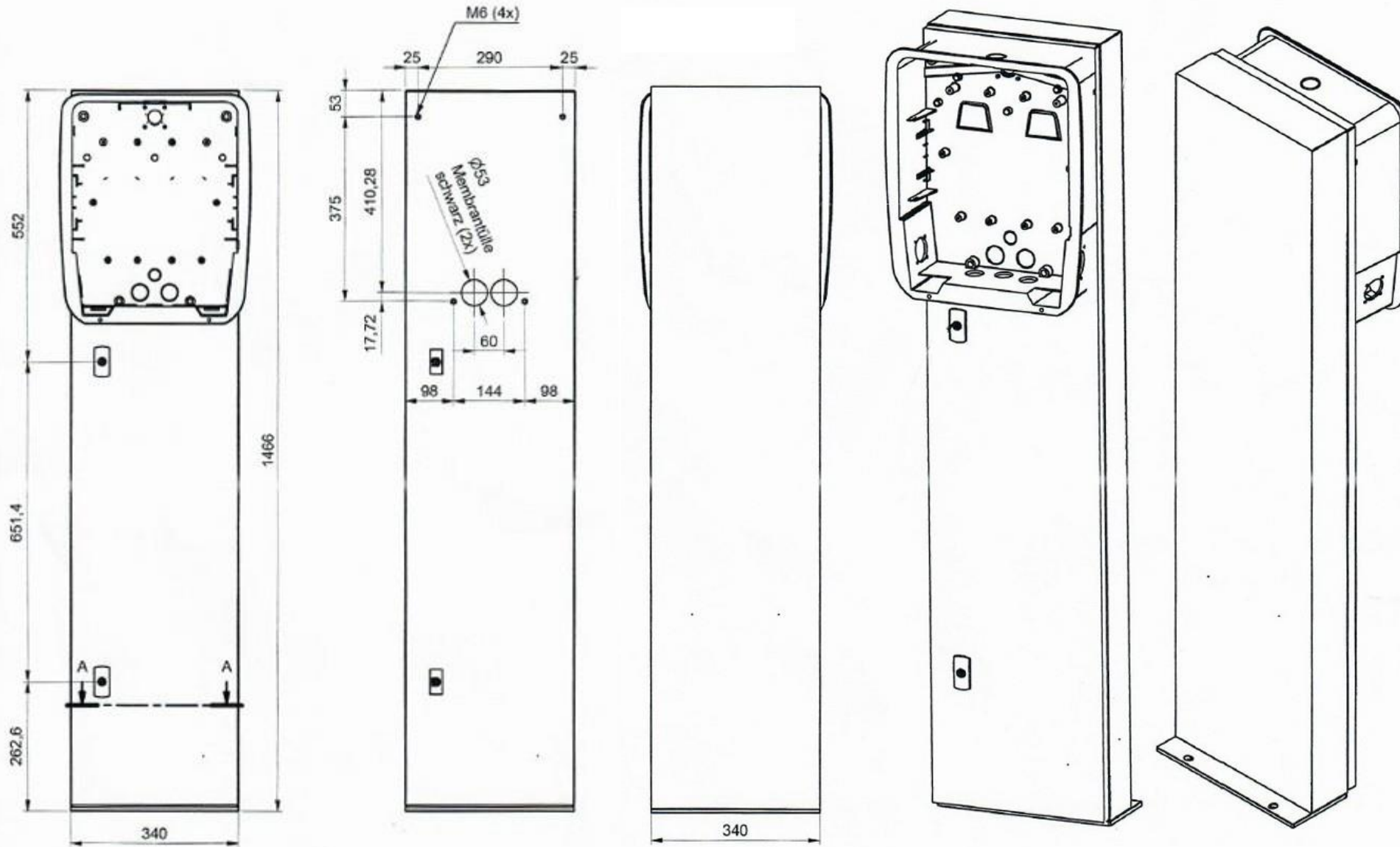
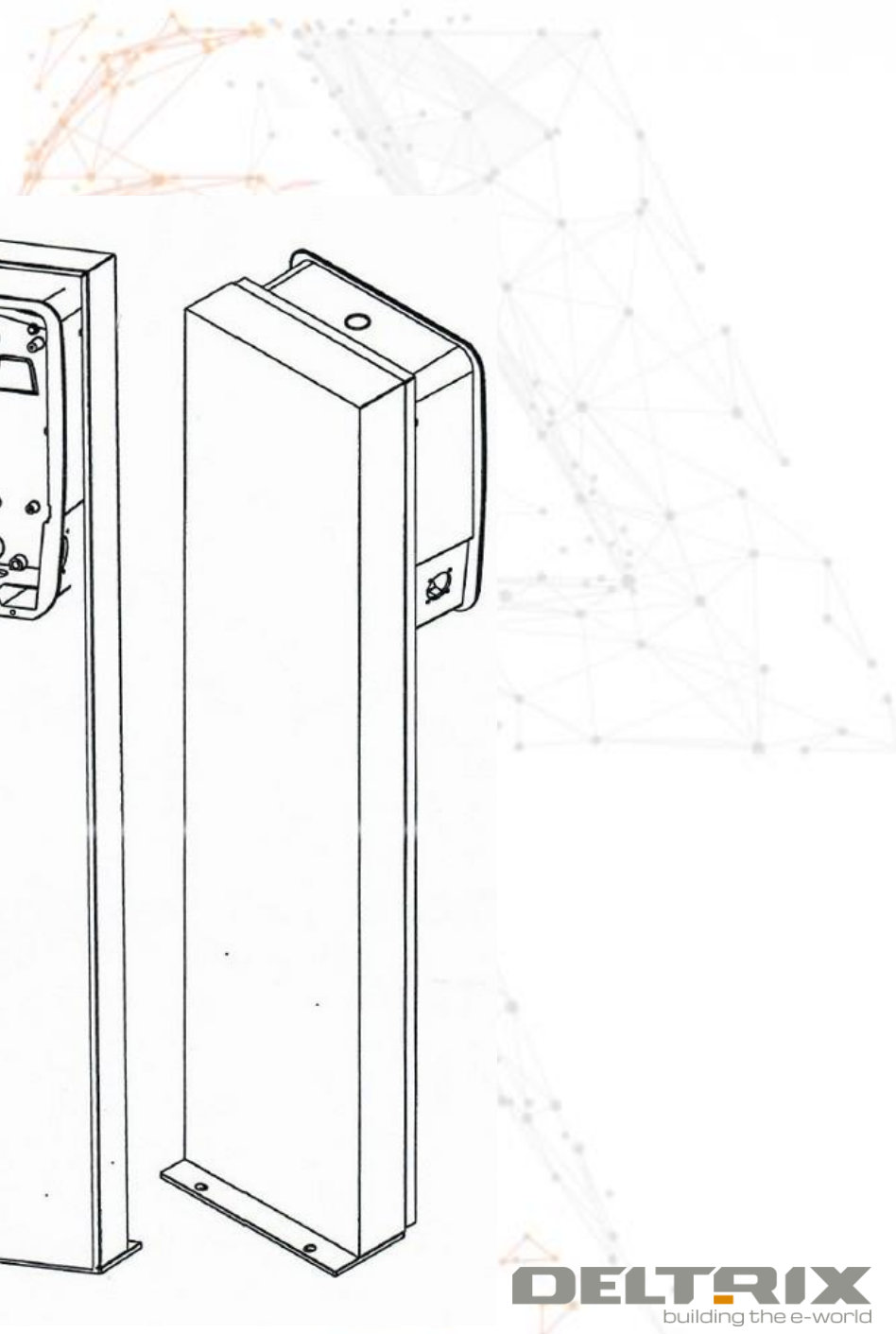
**DMDPMP-X**  
**Mounting Post for AC Dual Port Charger**

# DMDPMP: Dual Post

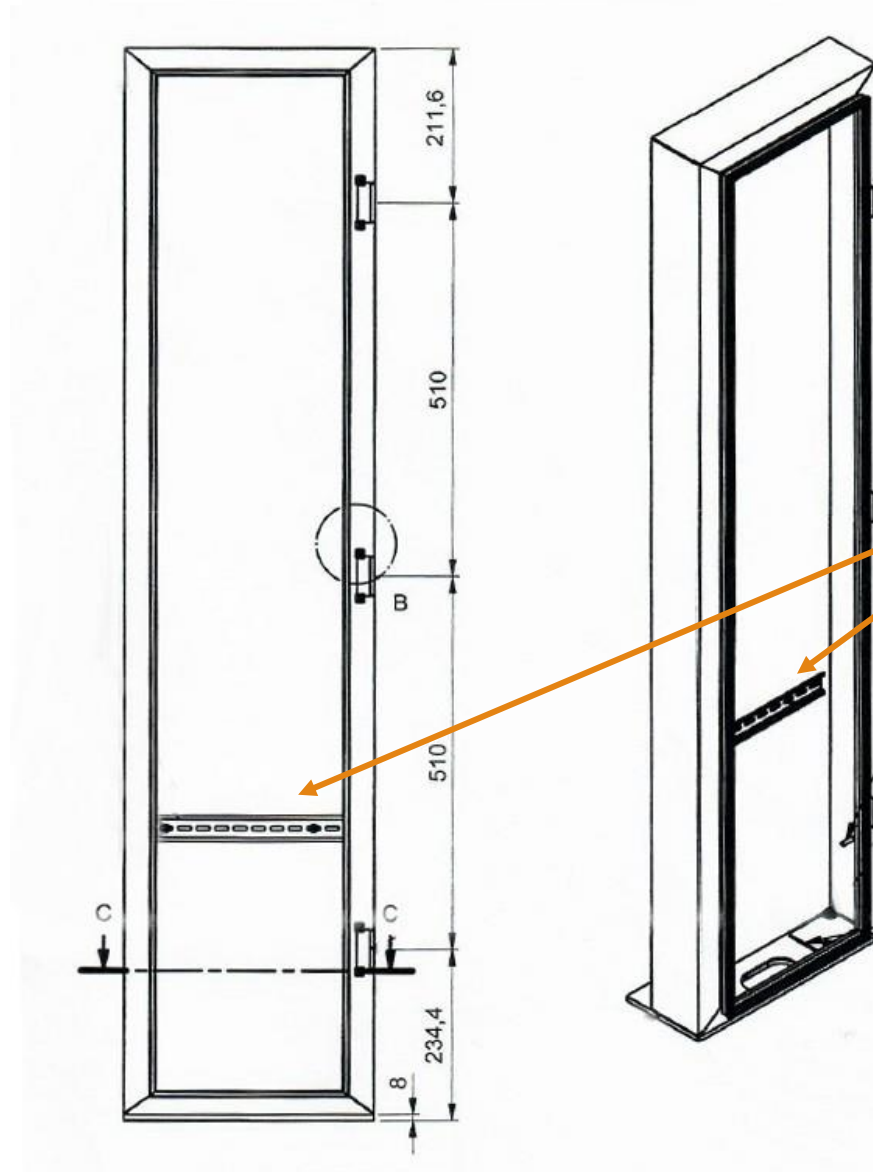
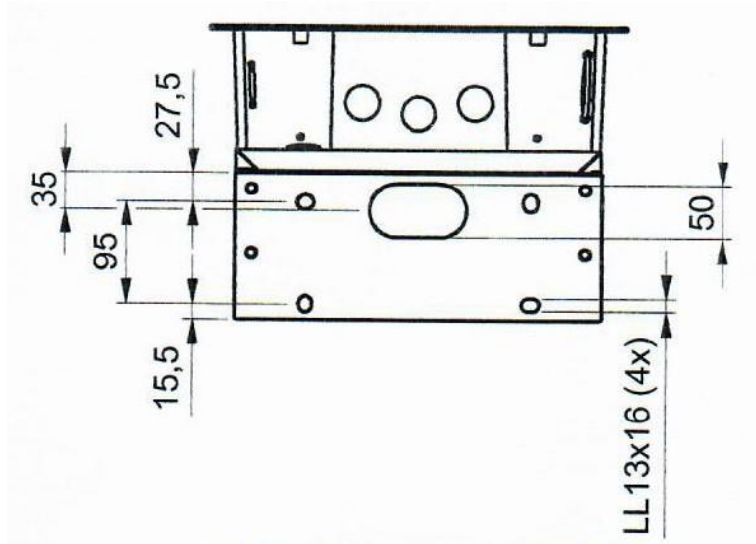


Part No.: DMDPMP-1

# DMDPMP: Dual Post



# DMDPMP: Dual Post



Suitable for a CE Approved Enclosure e.g. from Spelsberg or to house a circuit breaker or RCCB



# DMDPMP: Single Post



# Our Locations

## Global Headquarters – Hong Kong

Deltrix (Europe) Limited  
5J, Phase 2, Kaiser Estate  
51 Man Yue Street  
Hung Hom, Kowloon  
Hong Kong

Tel.: +852 2765 8787

Fax: +852 2334 5762

E-Mail: [info@deltrixchargers.com](mailto:info@deltrixchargers.com)

## Sales & Marketing – Italy

Deltrix (Europe) Limited  
Via Enrico Fermi, 17  
20094 Corsico  
Italy

Tel.: +39 (393) 866 0551

E-Mail: [info@deltrixchargers.com](mailto:info@deltrixchargers.com)

## European Headquarters – Ireland

Deltrix (Europe) Limited  
Block 1, Unit 1A  
Bracken Road  
Sandyford  
Dublin D18 H283,  
Ireland

Tel.: +353 (1) 5390606

E-Mail: [info@deltrixchargers.com](mailto:info@deltrixchargers.com)

## Sales & Marketing – Germany

Deltrix (Europe) Limited  
Max-Planck-Strasse 4  
85609 Aschheim  
Germany

Tel.: +49 (89) 215 385 23

E-Mail: [info@deltrixchargers.com](mailto:info@deltrixchargers.com)

[www.deltrixchargers.com](http://www.deltrixchargers.com)