



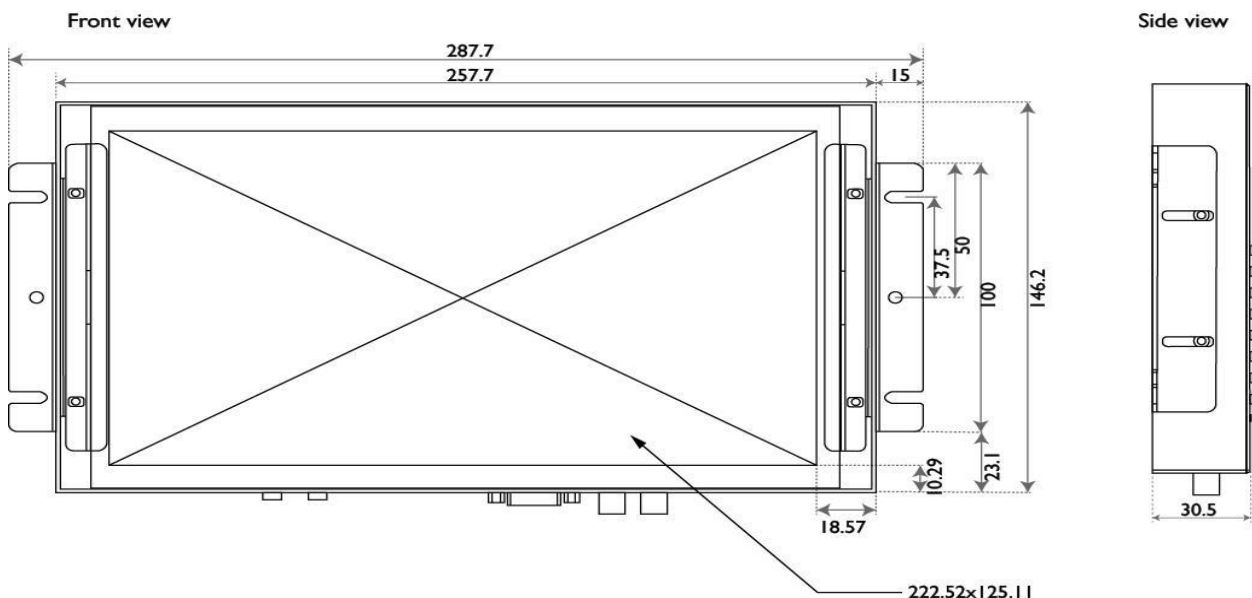
DELTRIX LCD Touch Screen for Smart Chargers

As accessory for the Deltrix range of Smart AC and DC Smart Controllers this full colour video screen with capacitive touch can be connected via the Ethernet port, as HMI/Media interface for a charging station. It fully meets the requirements for outdoor use, and it is designed for both commercial and industrial applications

Key Features:

- Suitable for the Deltrix range of Smart AC and DC Smart Controllers
- Capacitive touchscreen
- Ethernet interface
- Supply Power 12 VDC
- 10.1-inch (25,654mm) LCD screen, 1024×600 pixel, 450cd/ m2
- Wide operating temperature
- Customizable mechanical design
- LED back light technology

Dimensions



Technical Specifications

Display	
Screen Size	10.1 inch (25,654mm)
Touch Screen (optional)	Capacitive touch screen (Max front glass Thickness 3mm)
Brightness	400cd/m2
Dot resolution	1024×600
Aspect Ratio	16:09
Contrast Ratio	500:01:00
Backlight	LED
Viewing Angle	50° /50°(L/R)30°/50° (U.D)
Tapping durability	≥80%
Hardness	≥3H
Interface	
Ethernet	10/100 Base Ethernet socket
Power	
Input Voltage	12 VDC
Power consumption	≤6W
Environment	
Working Temperature	-0°C~60°C
Storage Temperature	-10°C~70°C
Dimensions	
Unit Size	255L×163W×34H mm
Unit Weight	1040g
Mounting process	Holes m4

EU HQ, Sales & Marketing – Ireland:

Deltrix (Europe) Ltd.
29 Windsor Place
Dublin 2, D02 P653
Ireland

Tel.: +353 (1) 5390606
E-Mail: info@deltrix.com

Sales & Marketing – Germany:

Deltrix Germany
Max-Planck-Straße 4
85609 Dornach, Munich
Germany

Tel.: +49 (89) 215 385 23
E-Mail: info@deltrix.com

www.deltrixchargers.com